

MD62104S 4CH Mobile Video Recorder



Product Introduction:

MD62104S Mobile Video Recorder is a dedicated DVR product for car video and audio monitoring with embedded Linux operating system. With the functions of video and audio decoding, 3G/4G wireless network transmission, satellite positioning, data security storage, hard disk vibration reduction protection, and provide flexible channel selection and coding schemes, especially applied to the video and audio monitoring needs of various buses, passenger buses, school buses, taxis, coach cars, muck trucks and other vehicles. The equipment has perfect and stable performance, with small size, low power consumption, easy installation and maintenance.

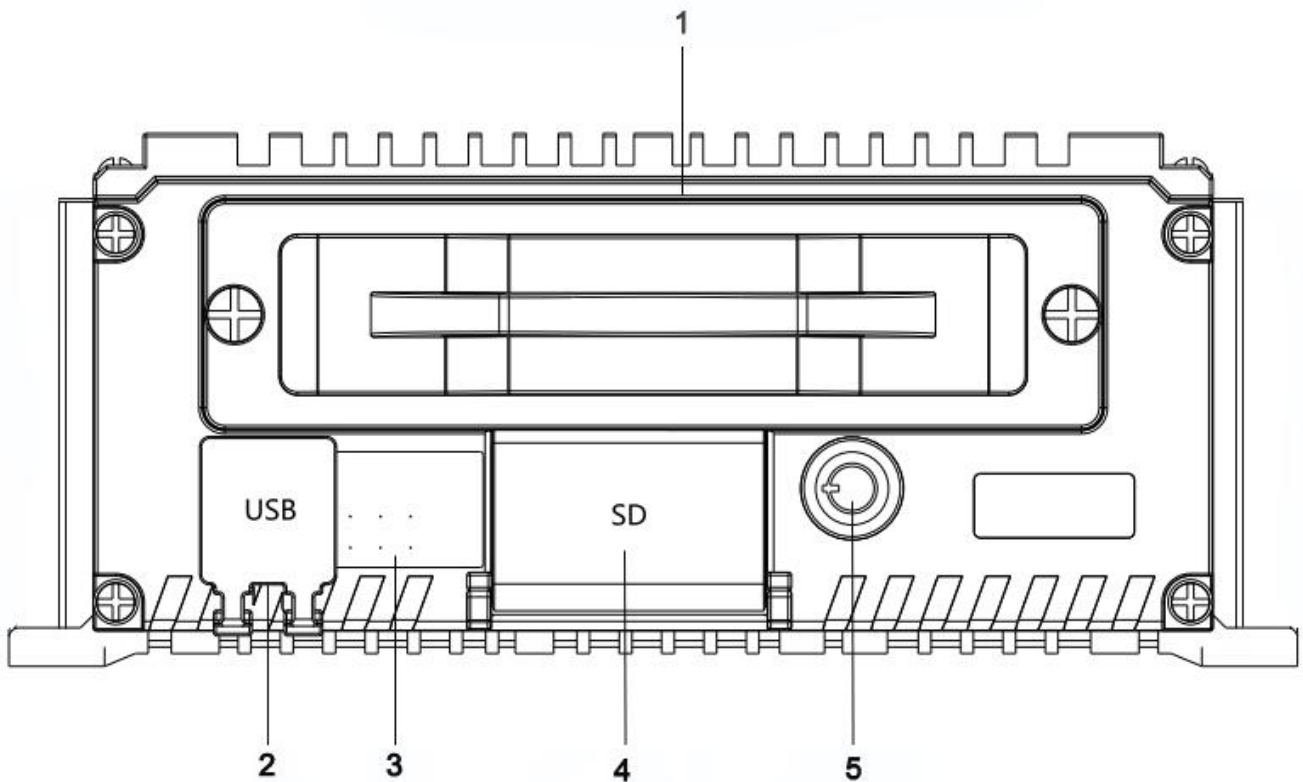
- 4ch of analog video and audio input, each channel up to 1080P encoding
- With 1ch CVBS video output, 1ch audio output
- With 1ch VGA video output interface, max resolution up to 1920*1080
- It can access 1*M2 SSD and 1*SD card simultaneously (SD card as a spare hard disk)
- Built-in 3G/4G wireless module, providing flexible wireless transmission
- Built-in high-sensitivity satellite positioning module, supporting extended BDS
- With information collection interface, it can collect the driver's turn left, turn right, brake, reverse, etc
- Wide range power supply (DC +9V to +36V)

Technical specifications:

system	
Operating System	Embedded Linux operating system
Compression	
Video compression	H.265
Audio compression	ADPCM
Video	
Encode	1080P@25FPS/352 x 288@1-10FPS
Playback	4ch x 1080P@25FPS
Video Input/Output	4ch analog/1 x cvbs,1 x VGA
Audio Input/Output	4ch/1ch
Wireless signal	
Wireless Network	3G/4G
Positioning	GPS,BDS
Storage	
Storage	1× SSD with M2 interface
Function	
Driving information collection	4ch high level signal inputs.
Alarm input / output	4ch, switch trigger ,2ch, switch output
Interface	
Network Interface	1× RJ45 100M
USB Interface	2 × USB 2.0
Serial Port	1× RS232 (debugging)
O ther	
Power Supply	DC 9V-36V
Wright/Dimensions (W×D×H)	1.58kg/200x150x80mm
Working Temperature/Humidity	-10 °C to +55 °C,10% to 90%

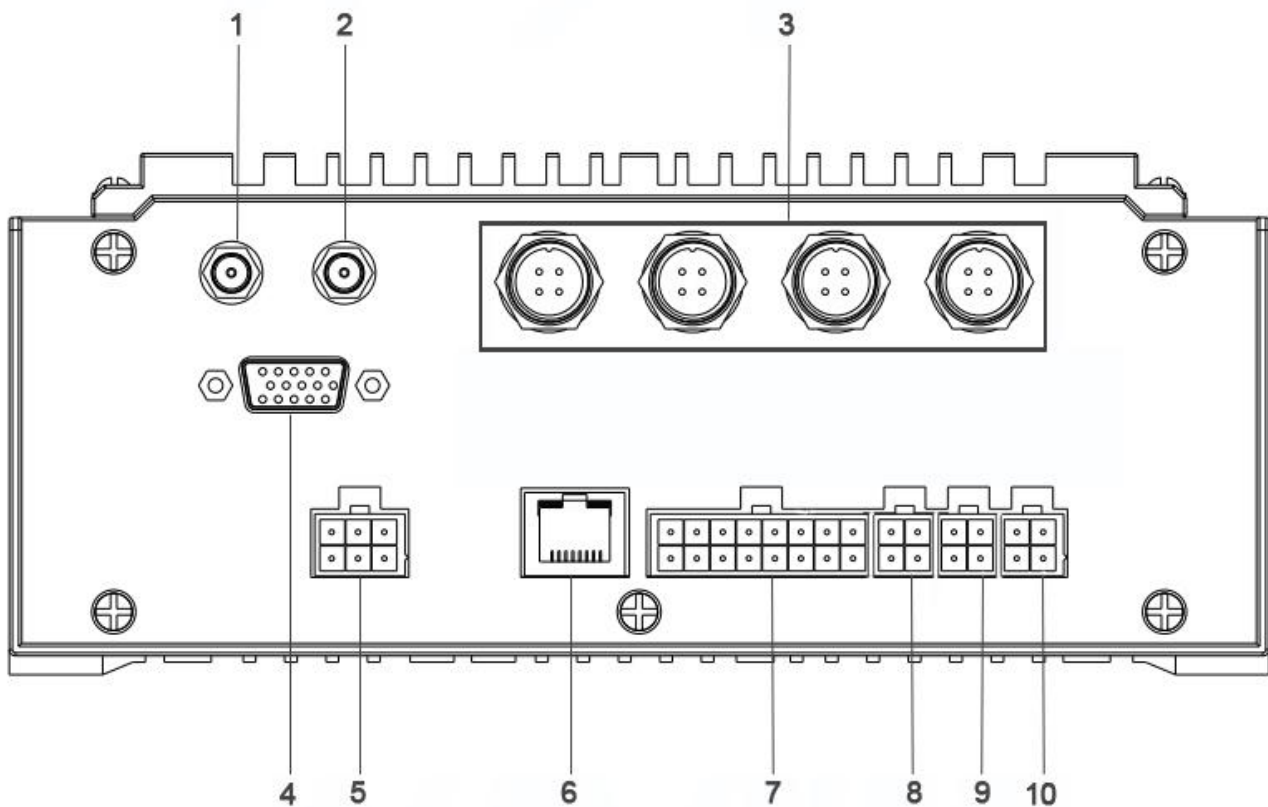
Physical Interface

Front Panel

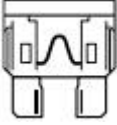
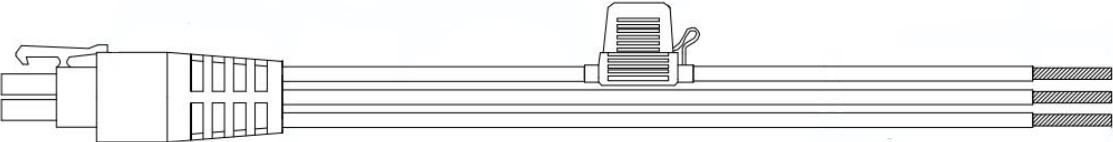
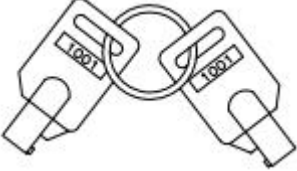
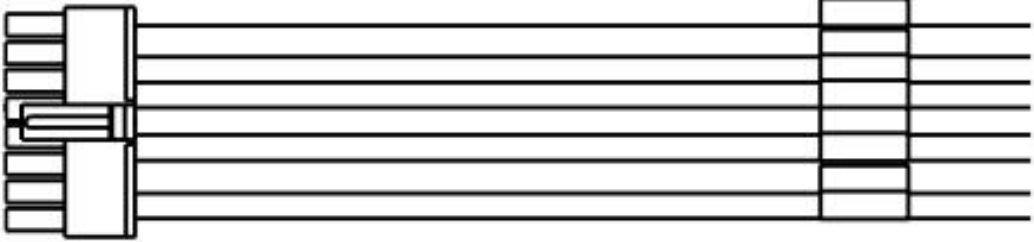
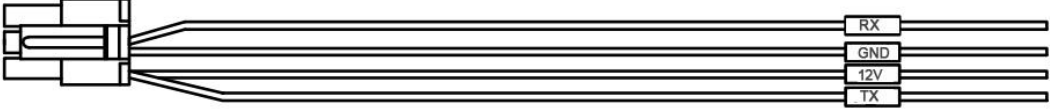
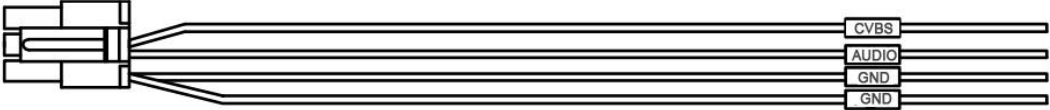
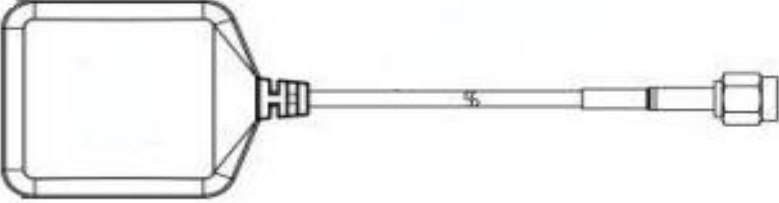


NO.	Name	NO.	Name
1	SSD	3	ALM:Alarm indicator
2	USB 2.0 interface		ANT:Dialing indicator
4	SD card slot		GNSS:GPS indicator
5	SSD lock		REC:Record indicator
			RDY:Ready indicator
			PWR:Power indicator

Rear Panel



NO.	Name	NO.	Name
1	GNSS:GNSS antenna interface	6	Network interface
2	3G/4G:3G/4G antenna interface	7	I/O:ALARM IN,ALARM OUT,and sensor-in
3	Anglog camera inputs:1-4CH	8	NC
4	VGA	9	RS-232 interface
5	Power supply	10	EXT.DEV:two-way audio interface, and CVBS video output

Description	Quantity	Picture
Fuse	1	
Power cord	1	
Key	1	
Alarm line	1	
RS-232 line	1	
Extension cable	1	
GPS antenna	1	
3G/4G antenna	1	